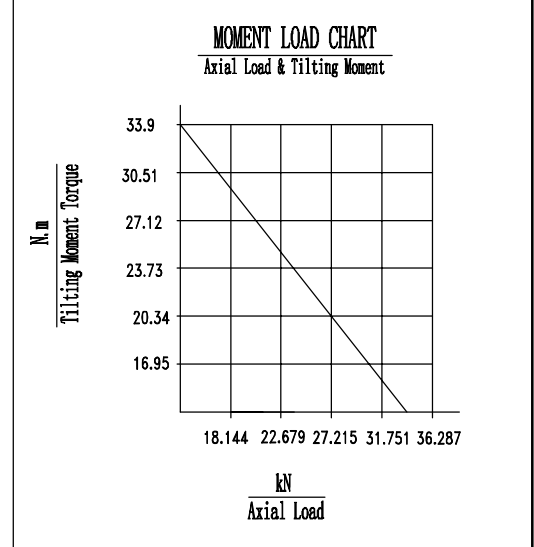
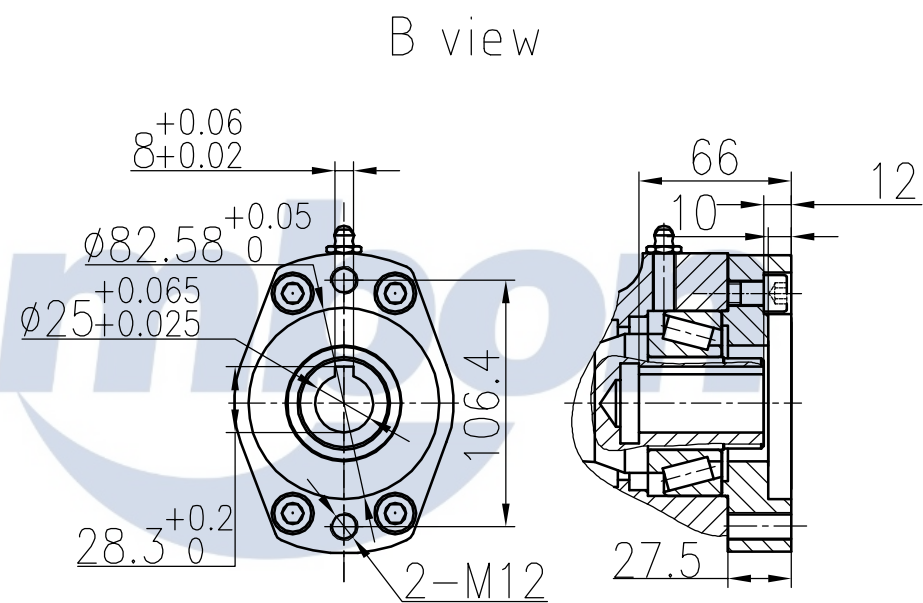
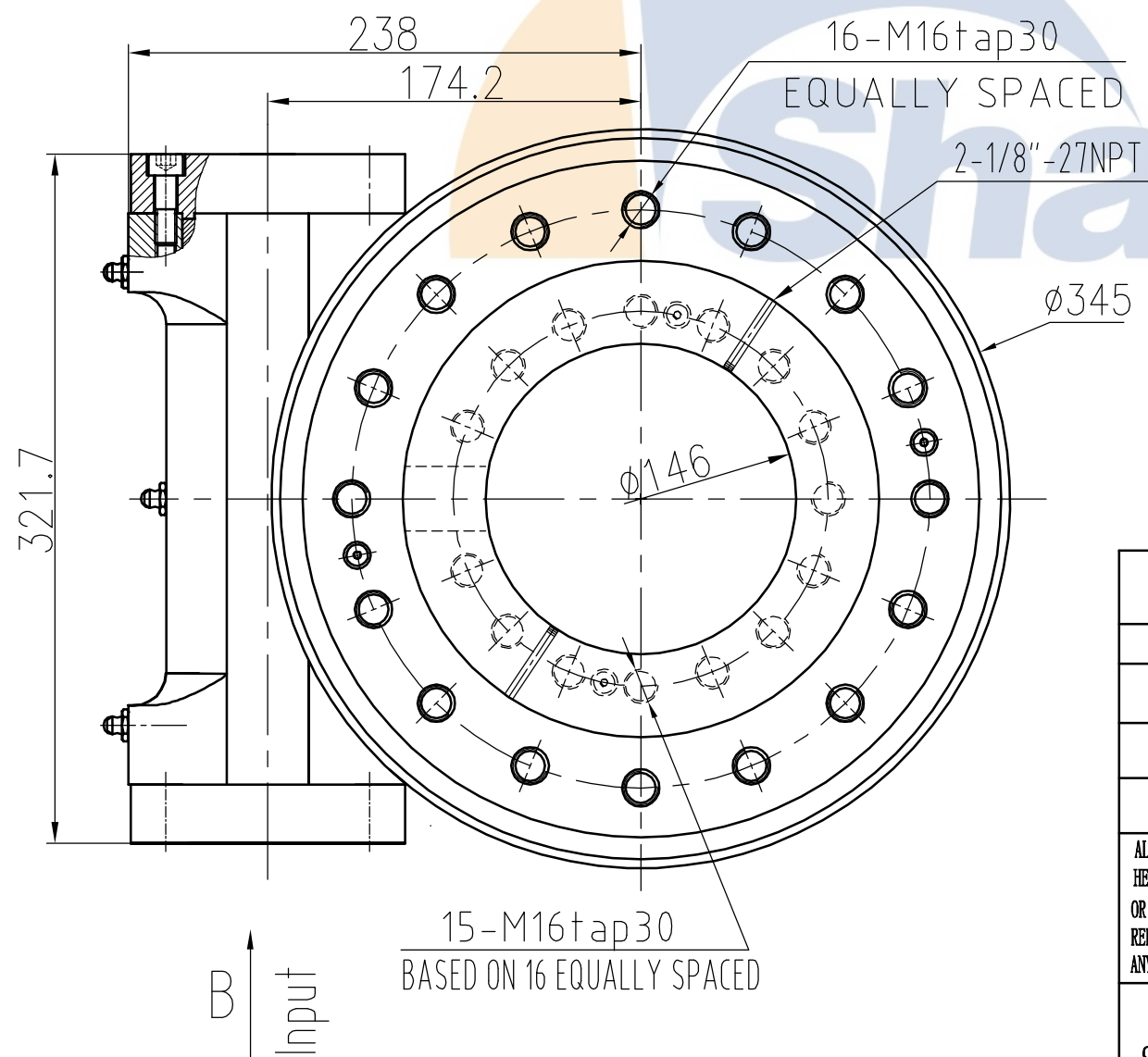

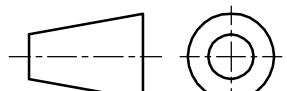


Gear Ratio	61:1
Rated Output Torque	6500 N.m
Rated Output Speed	≤ 3/rpm
Tilting Moment Torque	33.9 kN.m
Holding Torque	38.7 kN.m
Static Axial Rating	338 kN
Static Radial Rating	135 kN
Tracking Precision	≤ 0.17°
IP Class	IP55
Self Locking Gears	Yes
Operating Temperature	-20 °C / +120 °C
Weight	41kg



REV	DATE	REVISER	DESCRIPTION			
DESIGNED BY	Andrew			Xuzhou Shambon Machinery Co., Ltd. www.xzshangbang.com		
CHECKED BY	Colin					
APPROVED BY	Ivan					
ALL PROPRIETARY RIGHTS IN THE SUBJECT MATTER HERE OF ARE RESERVED, AND NO PERMISSION IS GRANTED OR TO DISCLOSE REPRODUCE THIS PRINT IN WHOLE OR IN PART, ANY OF THE INFORMATION TO OTHERS.			WEIGHT	SCALE	SLEWING DRIVE	
SYMBOLE ISO			SHEET	1/1		
SIZE A3 					SE9-61-25R	REV A