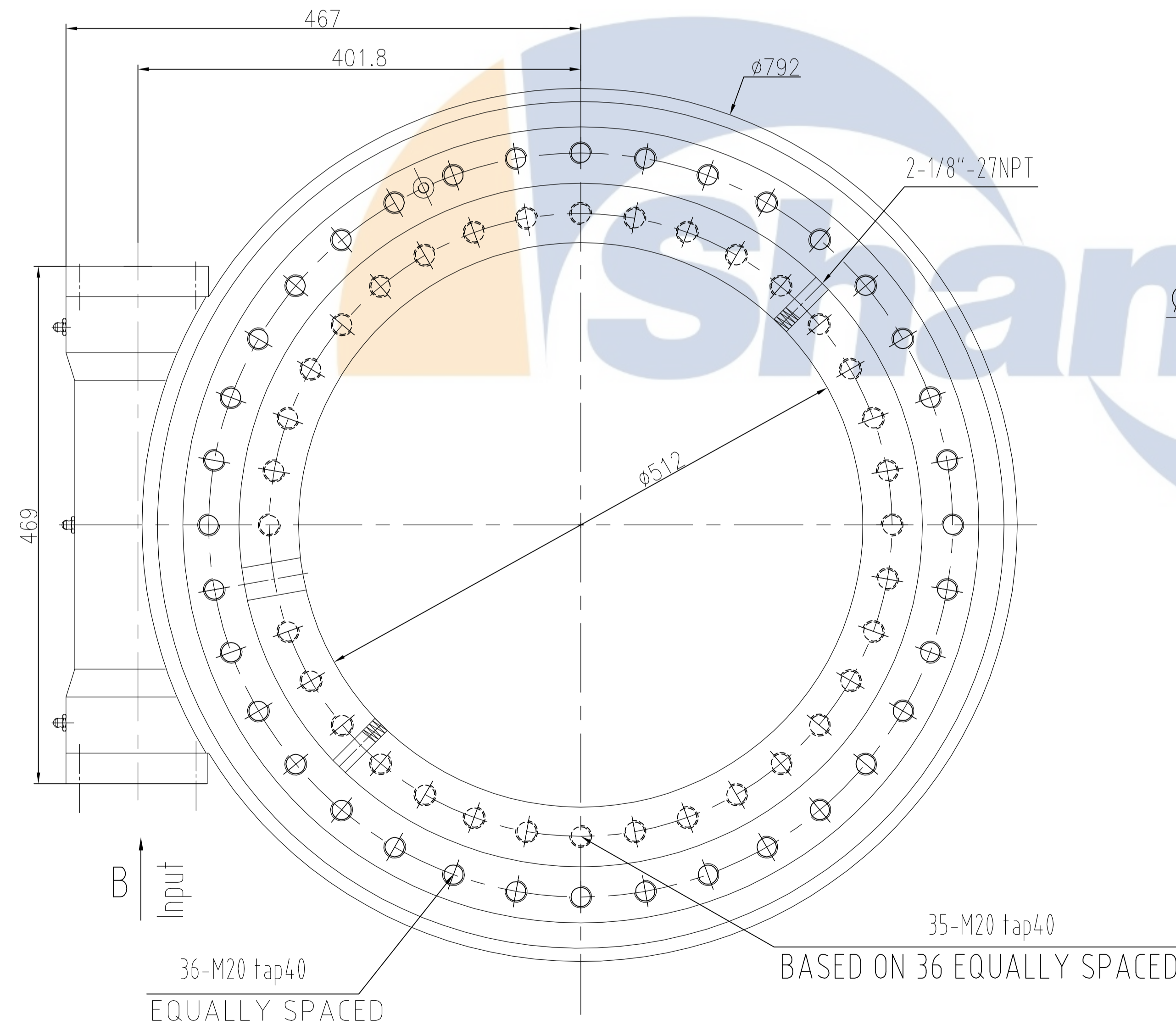
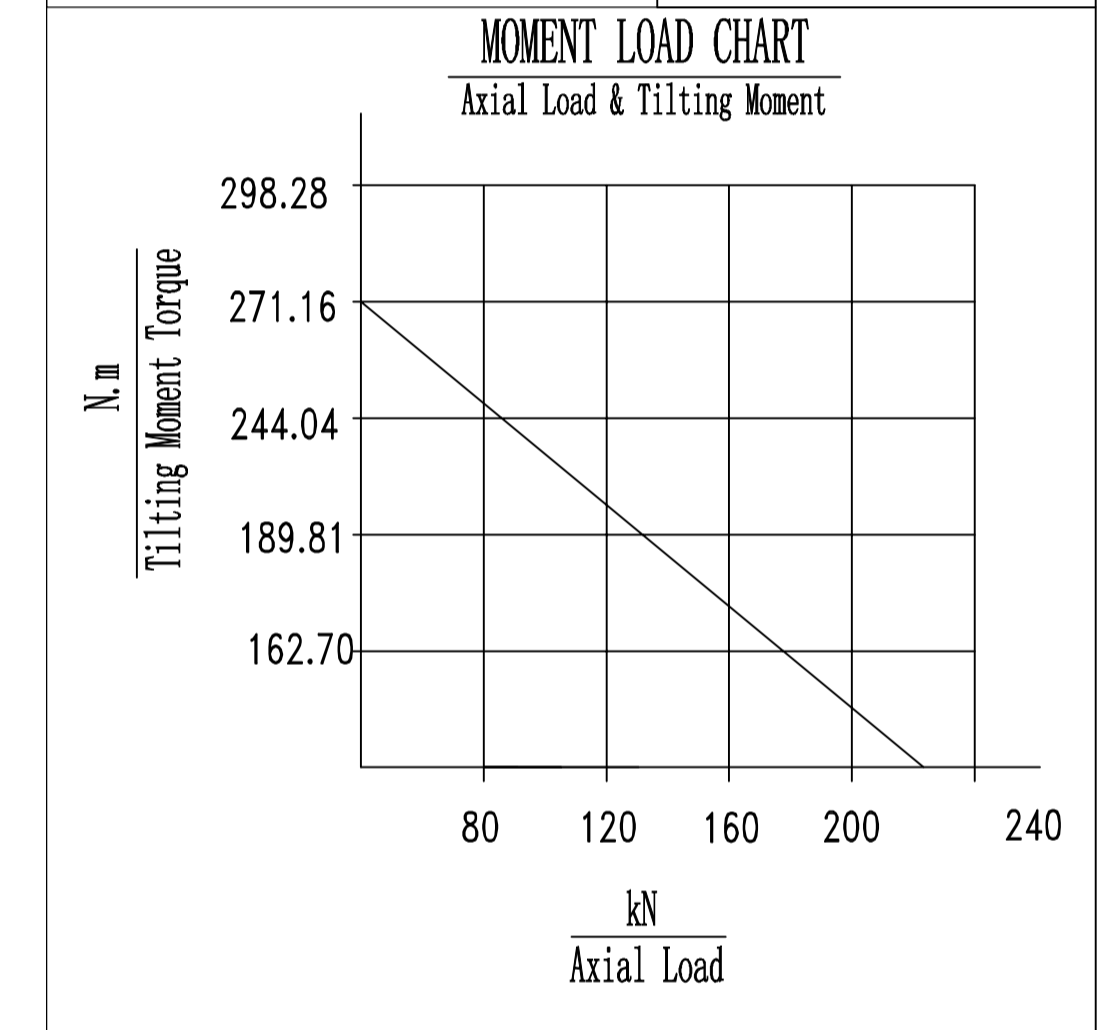
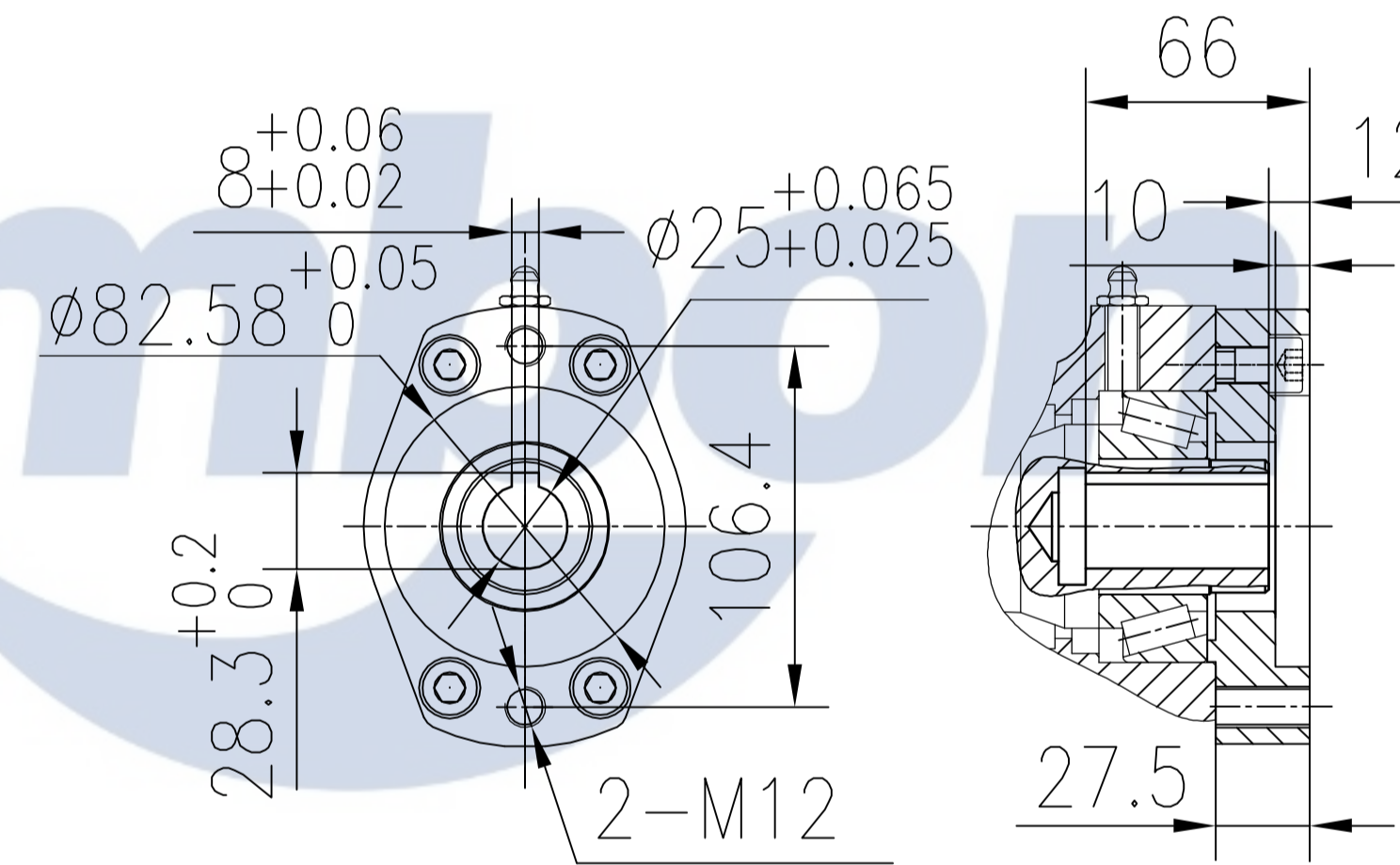

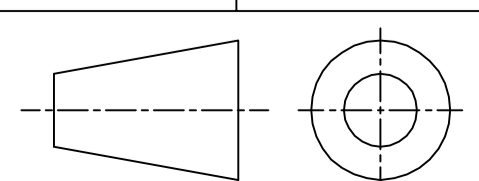


Gear Ratio	150:1
Rated Output Torque	18000 N.m
Rated Output Speed	≤ 3/rpm
Tilting Moment Torque	271 kN.m
Holding Torque	158.3 kN.m
Static Axial Rating	2360 kN
Static Radial Rating	945 kN
Tracking Precision	≤ 0.15°
IP Class	IP55
Self Locking Gears	Yes
Operating Temperature	-20 °C / +120 °C
Weight	204 kg



B view



REV	DATE	REVISER	DESCRIPTION	
DESIGNED BY	Andrew		 Xuzhou Shambon Machinery Co., Ltd. www.xzshangbang.com	
CHECKED BY	Colin			
APPROVED BY	Ivan			
ALL PROPRIETARY RIGHTS IN THE SUBJECT MATTER HERE OF ARE RESERVED, AND NO PERMISSION IS GRANTED OR TO DISCLOSE REPRODUCE THIS PRINT IN WHOLE OR IN PART, ANY OF THE INFORMATION TO OTHERS.			WEIGHT SCALE SHEET 1/1	<b>SLEWING DRIVE</b>  <b>SE25-150-25R</b>
SYMBOLS ISO	SIZE A3 	SHEET 1/1	<b>REV A</b>	