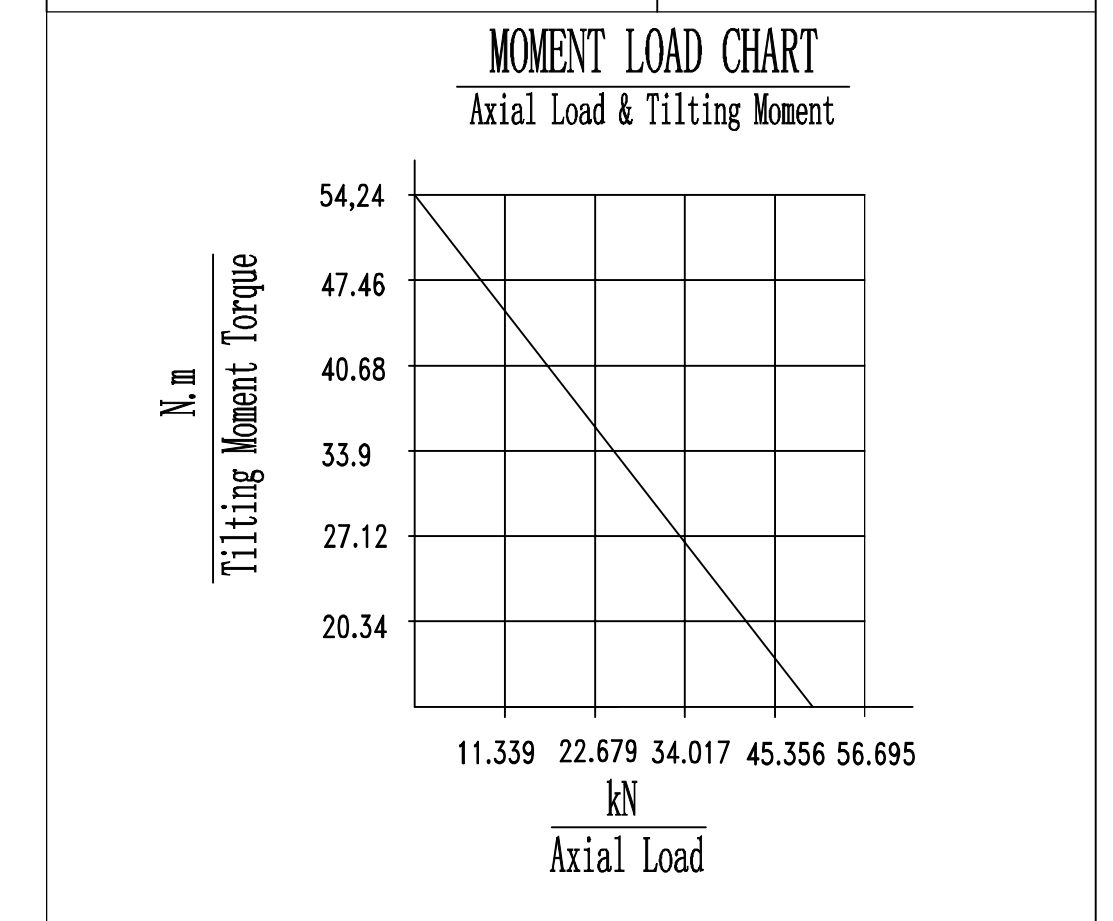
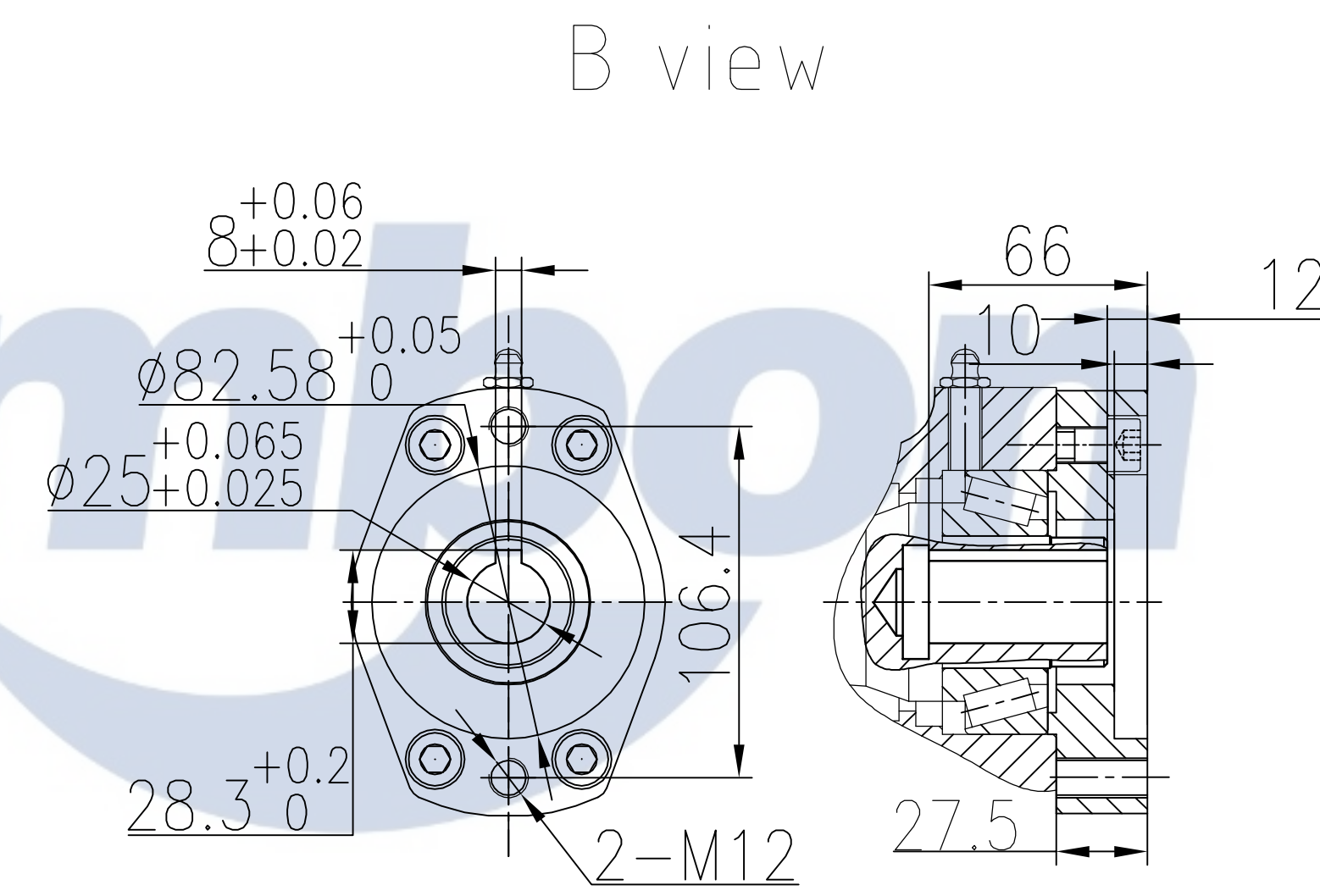
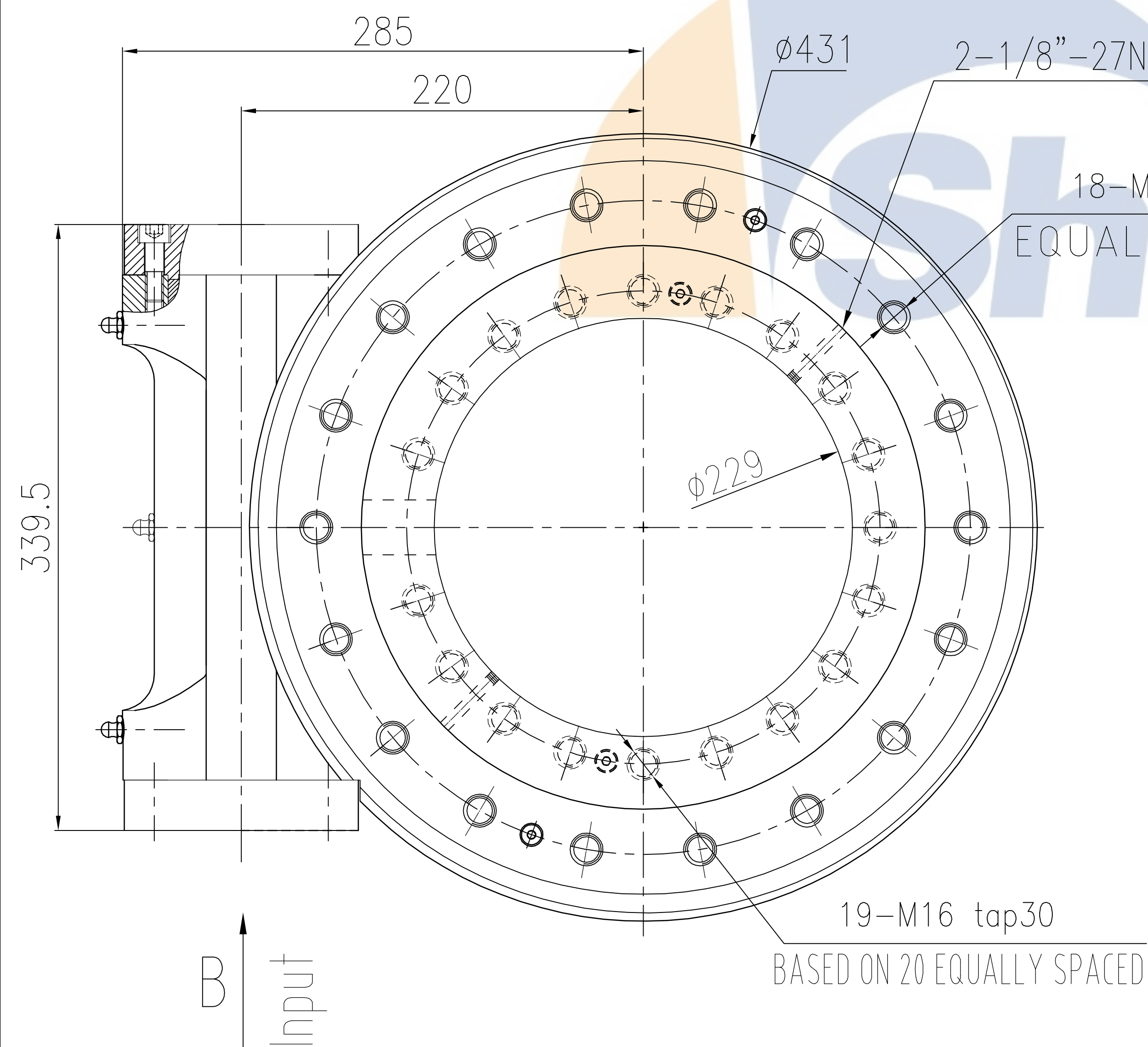



Gear Ratio	78:1
Rated Output Torque	7500 N.m
Rated Output Speed	≤ 3/rpm
Tilting Moment Torque	54.3 kN.m
Holding Torque	43 kN.m
Static Axial Rating	475 kN
Static Radial Rating	190 kN
Tracking Precision	≤ 0.17°
IP Class	IP55
Self Locking Gears	Yes
Operating Temperature	-20 °C / +120 °C
Weight	61kg



REV	DATE	REVISER	DESCRIPTION		
DESIGNED BY	Andrew			Xuzhou Shambon Machinery Co., Ltd. www.xzshangbang.com	
CHECKED BY	Colin				
APPROVED BY	Ivan				
ALL PROPRIETARY RIGHTS IN THE SUBJECT MATTER HERE OF ARE RESERVED, AND NO PERMISSION IS GRANTED OR TO DISCLOSE REPRODUCE THIS PRINT IN WHOLE OR IN PART, ANY OF THE INFORMATION TO OTHERS.			WEIGHT	SCALE	SLEWING DRIVE
SYMBOLE ISO			SHEET	1/1	
SIZE A3			SE12-78-25R		REV A