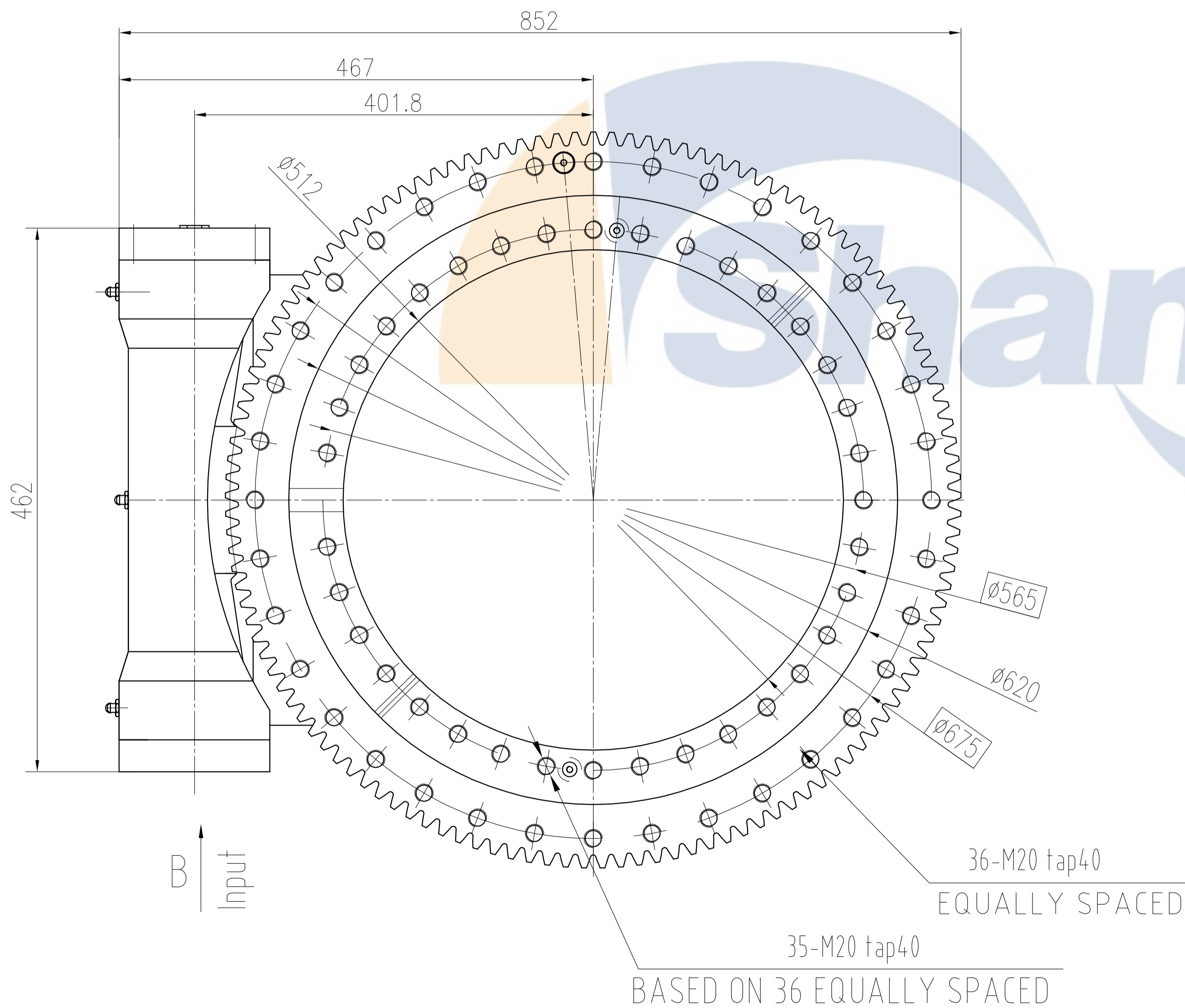
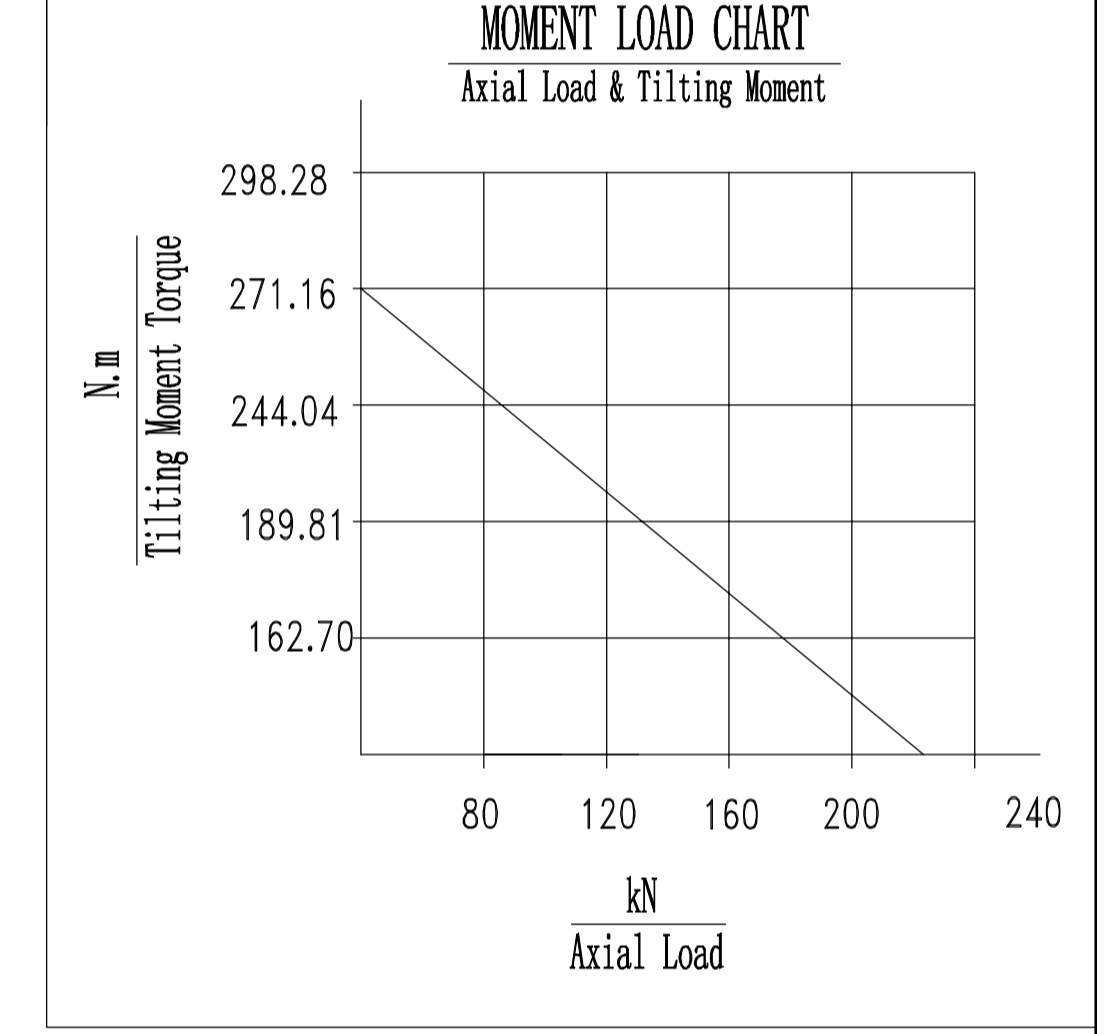
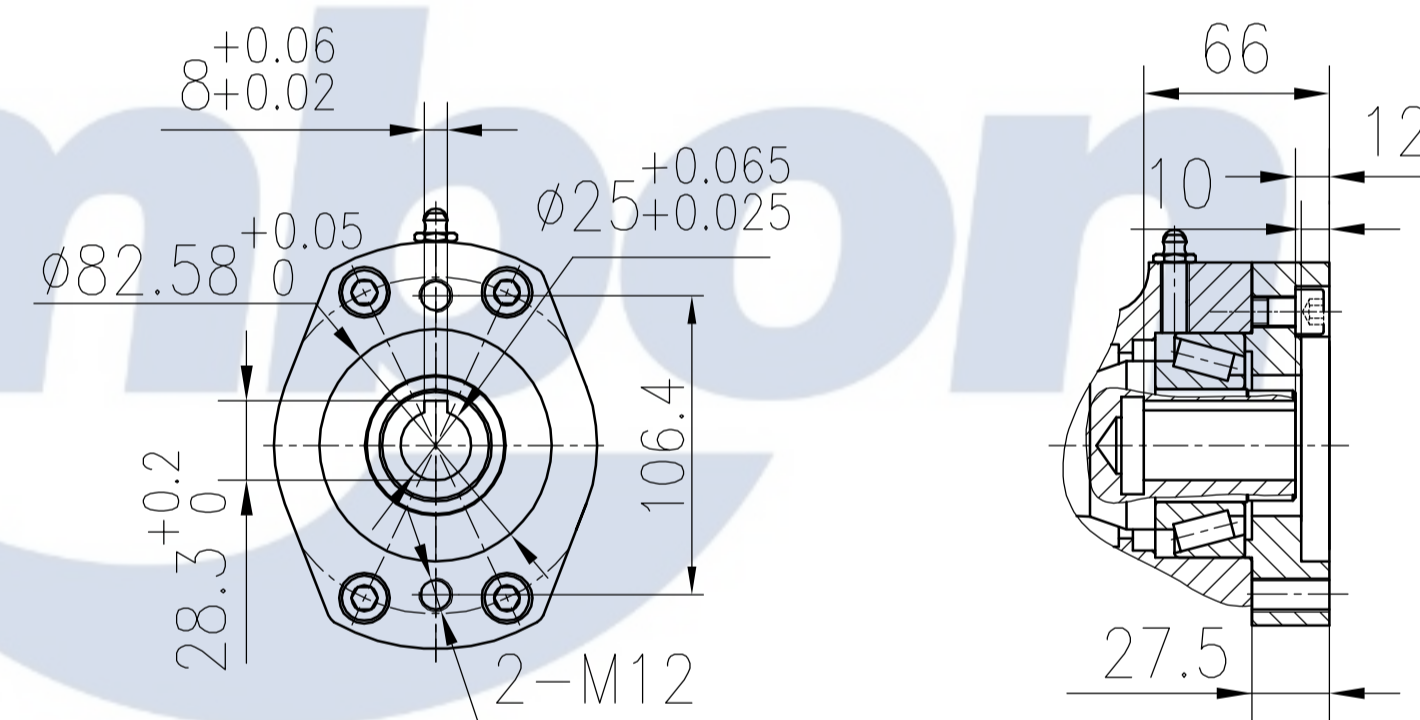



|                       |  |
|-----------------------|--|
| Gear Ratio            | 150:1                                    |
| Rated Output Torque   | 18000 N.m                                |
| Rated Output Speed    | $\leq 3/\text{rpm}$                      |
| Tilting Moment Torque | 271 kN.m                                 |
| Holding Torque        | 158.3 kN.m                               |
| Static Axial Rating   | 2360 kN                                  |
| Static Radial Rating  | 945 kN                                   |
| Tracking Precision    | $\leq 0.15^\circ$                        |
| Self Locking Gears    | Yes                                      |
| Operating Temperature | $-20^\circ\text{C} / +120^\circ\text{C}$ |
| Weight                | 185 kg                                   |



B view



| REV   | DATE   | REVISER | DESCRIPTION  |                      |                      |
|---|--------|---------|--|----------------------|----------------------|
| DESIGNED BY   | Andrew |         | <br>Xuzhou Shambon Machinery Co., Ltd.<br>www.xzshangbang.com | <b>SLEWING DRIVE</b> |                      |
| CHECKED BY  | Colin  |         |  |                      |                      |
| APPROVED BY   | Ivan   |         |  |                      |                      |
| <small>ALL PROPRIETARY RIGHTS IN THE SUBJECT MATTER HERE OF ARE RESERVED, AND NO PERMISSION IS GRANTED OR TO DISCLOSE REPRODUCE THIS PRINT IN WHOLE OR IN PART, ANY OF THE INFORMATION TO OTHERS.</small> |        |         | WEIGHT   | SCALE                | <b>S25-150-H-25R</b> |
| SYMBOL ISO  | SIZE   | A3      | SHEET  | 1/1                  |                      |