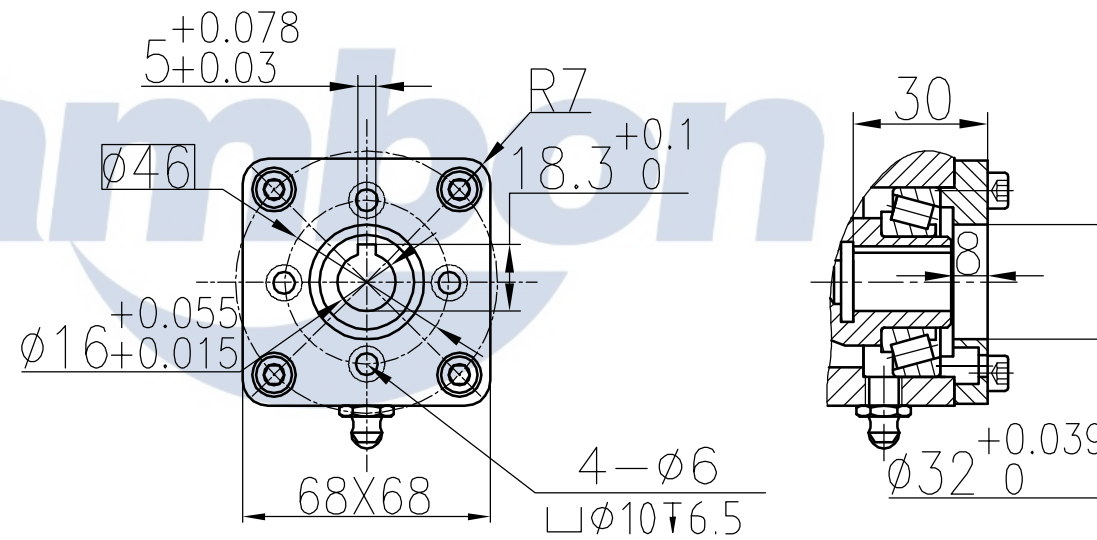
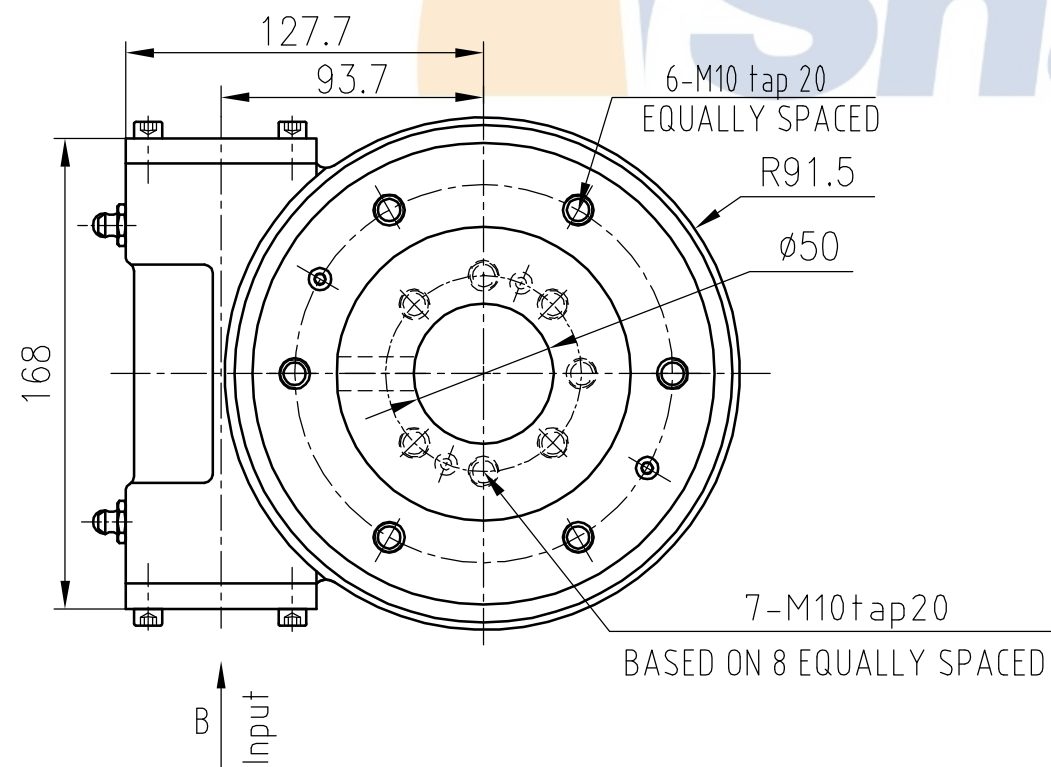


Gear Ratio	62:1
Rated Output Torque	600 N.m
Rated Output Speed	≤ 3/rpm
Tilting Moment Torque	3000N.m
Holding Torque	5500N.m
Static Axial Rating	45 kN
Static Radial Rating	22 kN
Tracking Precision	≤ 0.2°
IP Class	IP55
Self Locking Gears	Yes
Operating Temperature	-20 °C / +120 °C
Weight	20kg

B view



REV	DATE	REVISER	DESCRIPTION		
DESIGNED BY	Andrew			Xuzhou Shambon Machinery Co., Ltd. www.xzshangbang.com	
CHECKED BY	Colin				
APPROVED BY	Ivan				
<small>ALL PROPRIETARY RIGHTS IN THE SUBJECT MATTER HERE OF ARE RESERVED, AND NO PERMISSION IS GRANTED OR TO DISCLOSE REPRODUCE THIS PRINT IN WHOLE OR IN PART, ANY OF THE INFORMATION TO OTHERS.</small>			WEIGHT	SCALE	SLEWING DRIVE
SYMBOL ISO			SHEET	1/1	
SIZE A3 			SE5-62-16R		REV A