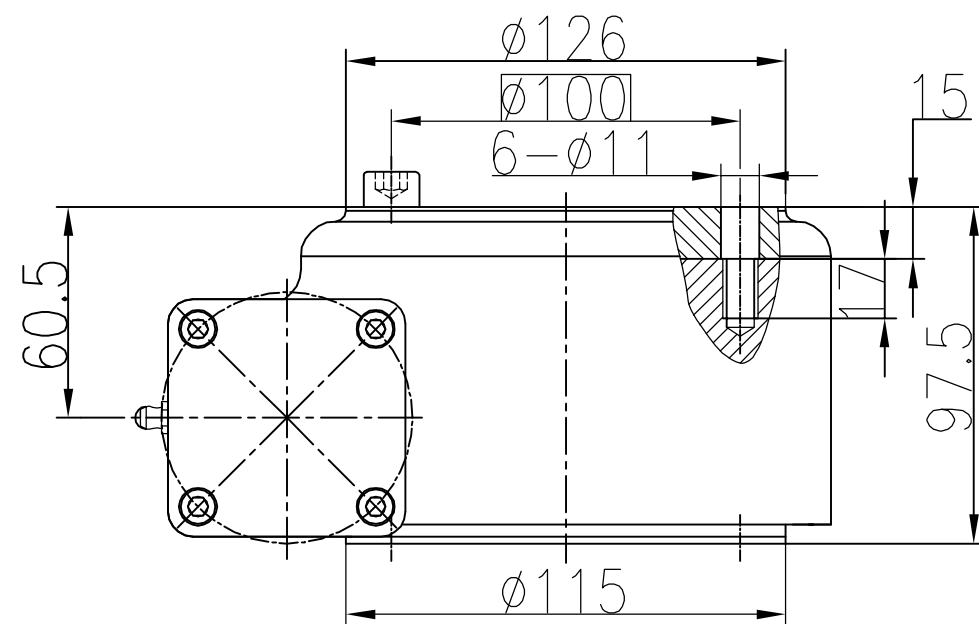
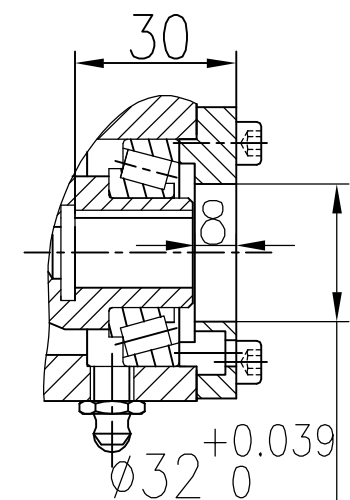
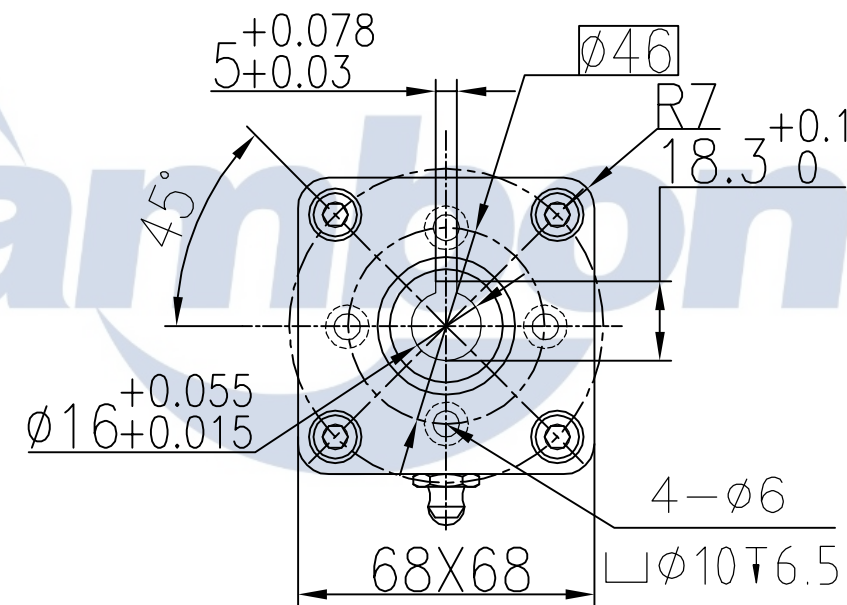

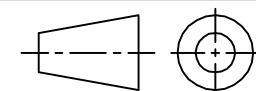


Gear Ratio	62:1
Rated Output Torque	400 N.m
Rated Output Speed	≤ 3/rpm
Tilting Moment Torque	1100N.m
Holding Torque	2000N.m
Static Axial Rating	30 kN
Static Radial Rating	16.6 kN
Tracking Precision	≤0.2°
IP Class	IP55
Self Locking Gears	Yes
Operating Temperature	-20°C / +120°C
Weight	12kg

B view



REV	DATE	REVISER	DESCRIPTION			
DESIGNED BY	Andrew			Xuzhou Shambon Machinery Co., Ltd. www.xzshangbang.com		
CHECKED BY	Colin					
APPROVED BY	Ivan					
ALL PROPRIETARY RIGHTS IN THE SUBJECT MATTER HERE OF ARE RESERVED, AND NO PERMISSION IS GRANTED OR TO DISCLOSE REPRODUCE THIS PRINT IN WHOLE OR IN PART, ANY OF THE INFORMATION TO OTHERS.			WEIGHT	SCALE	SLEWING DRIVE	
SYMBOLS ISO			SHEET	1/1		
SIZE A3 					SE3-62-16R	REV A